















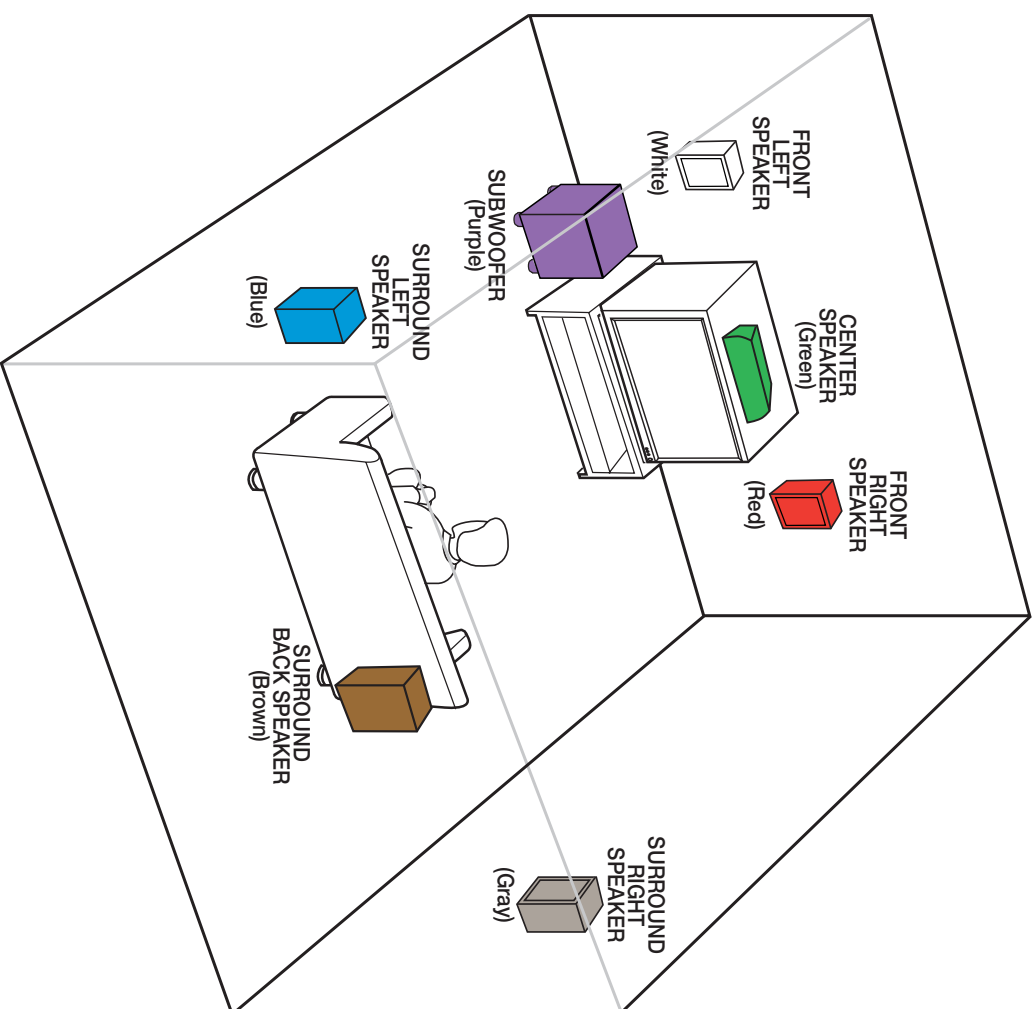
Thank you for purchasing a Harman Kardon AVR 135. This Quick-Start Guide will help you with a basic system installation. For detailed information on any step in this Guide, please refer to the pages referenced in the Owner's Manual. We strongly recommend that you read the Owner's Manual for complete details on how to install, configure and operate the AVR 135, as well as for the important safety information it contains.

Figure 1 – Speaker Placement

The colors shown for each speaker correspond to the matching output terminal connection on the back of the AVR 135 (see page 7).

Connections Color Guide		
Audio Connections	Left	Right
Front		
Center		
Surround		
Subwoofer		
Surround Back		
Digital Audio Connections		
Coax		
Optical		
Video Connections		
Composite		
S-Video		

Match the colored jacks on the AVR 135 to the appropriate jacks on your source equipment or speakers. The colors are standardized, but not all equipment or connectors use them.



Step 1. Place your speakers in the listening room (see page 14).

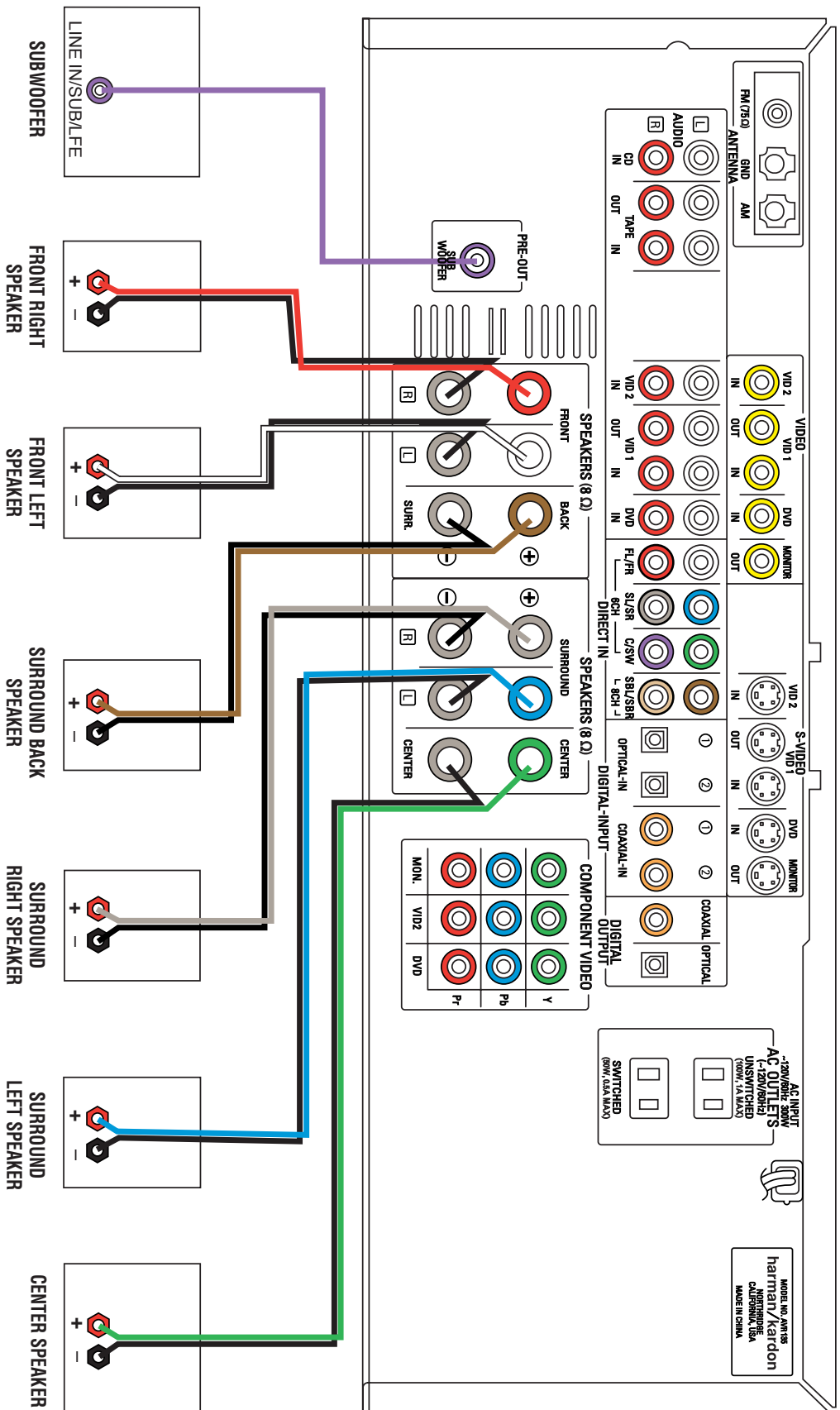


Figure 2 – Speaker Connections

Step 2. Connect the speakers to the receiver: red (+) on speaker to colored (+) on receiver and black (-) to black (-). (See page 12.)

Step 3. Connect the Subwoofer Pre-Out jack to the Line-In jack on your subwoofer (see page 12). You may adjust the settings on the subwoofer later as needed.

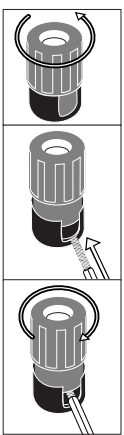


Figure 3 – How to Use the Binding-Post Speaker Terminal

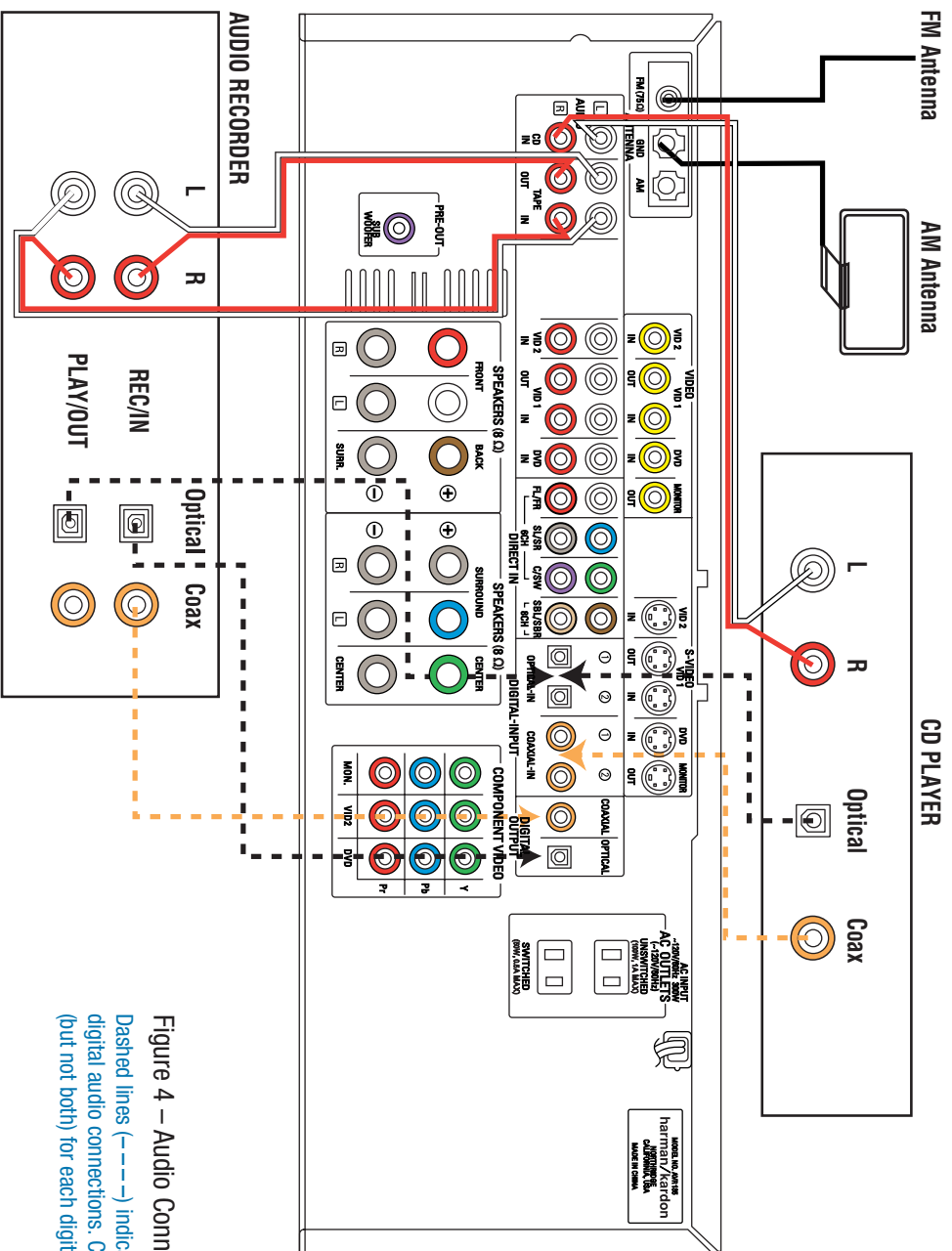


Figure 4 – Audio Connections

Dashed lines (----) indicate coax and optical digital audio connections. Choose either type (but not both) for each digital audio source.

- Step 4. Connect AM and FM antennas (as shown above); see page 12.
- Step 5. Connect source components, as shown in Figures 4 and 5, and the Device Connection Options chart on the back of this Guide (see pages 12–13).
 - AUDIO connections:** Right channel (red) on source to right (red) on AVR, and left channel (white) on source to left (white) on AVR.
 - DIGITAL AUDIO connections, if available:** Choose either coax (orange) to coax (orange) OR optical to optical for each device. The Coax 1 input defaults to the DVD player, but may be reassigned. Assign the other digital inputs and outputs as appropriate for your equipment (see Step 7).
 - VIDEO connections:** Choose either composite (yellow) or S-Video (4-pin) for each video source. Connect the composite and S-Video Monitor outputs to your Video Monitor (TV). Switch your TV set's input to match the type of video used for the currently selected source.

- Step 6. Plug all components into AC power outlets. The outlets on the back of the AVR 135 should be used *only* for low-current products, such as CD or DVD players, and the total should not exceed 100 watts.
- Basic Receiver Configuration**
 - Step 7. **Select digital inputs:** If your DVD is connected to Coax 1, no adjustment is needed. For any other digital-device connections, use the On-Screen In/Out Setup menu or the front-panel Digital Select button and the arrow buttons to select an optical or coax digital input (see pages 16 and 23).
 - Step 8. **Select a surround mode:** Press the Surround Mode button on the front panel to select Dolby® Pro Logic® II – Movie. (You may select other modes later as you become familiar with the AVR 135; see pages 16–17 and 22–26.)
 - Step 9. **Configure speakers:** No action is needed if you have five or six "small" satellite-type speakers and a subwoofer. Otherwise, use the

- OSD Speaker Setup Menu, or press the Speaker button and then the Set and arrow buttons to select the correct speaker choices for your system (see pages 17–19).
- Step 10. **Set output levels:** Set the Balance to 12 o'clock, and the Volume to –15dB. Sit in the listening position and press the Test button on the remote. The Test tone (which sounds like static) will circulate from speaker to speaker. Press the up/down arrow keys to adjust the level of each speaker until they all sound the same. If you have an SPL meter, set it to 75dB on the C-Weighting/Slow scale. Press the Test button again to complete the process. In six-speaker systems, the levels for both surround back channels will be set using the single surround back speaker to optimize Logic 7™ and other 7-channel processing; see pages 20–21.
- Step 11. Your system is configured – sit back and enjoy!

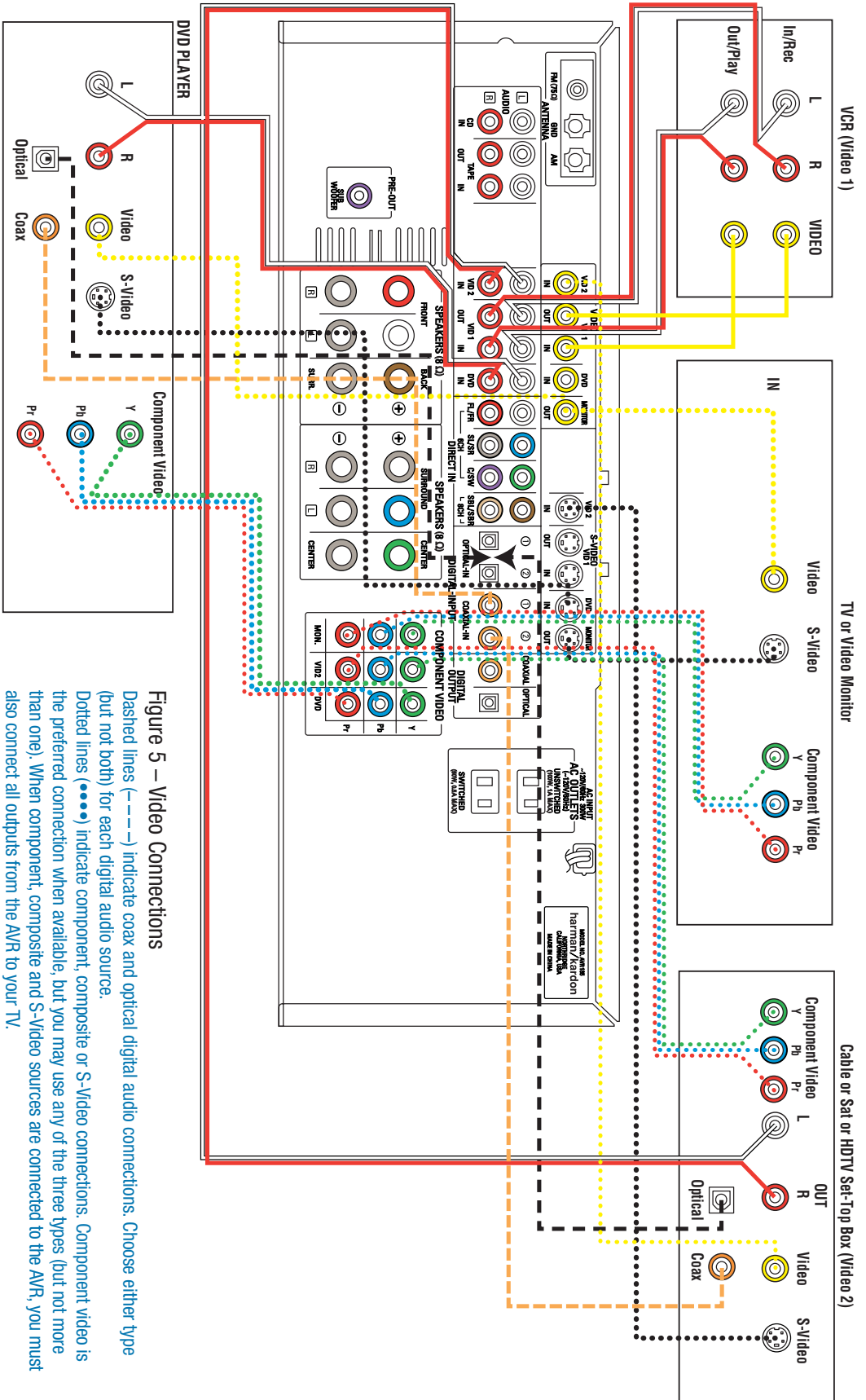


Figure 5 – Video Connections

Dashed lines (---) indicate coax and optical digital audio connections. Choose either type (but not both) for each digital audio source.
 Dotted lines (••••) indicate component, composite or S-Video connections. Component video is the preferred connection when available, but you may use any of the three types (but not more than one). When component, composite and S-Video sources are connected to the AVR, you must also connect all outputs from the AVR to your TV.

Device Connection Options: Recommended connections are shown in red, but connections may be made to best fit your system requirements. The Video 3 inputs are on the front panel of the receiver.			
Device	Input Name	Audio Input Connections	Video Output Connections
CD Player	CD	CD L/R Inputs, Optical Digital 1 or 2, or Coaxial Digital 1 or 2	Not required
DVD Player	DVD	Coaxial Digital 1 or 2, Optical Digital 1 or 2, or DVD L/R Inputs	Not required
VCR	Video 1	Video 1 L/R Inputs	Video 1 L/R Outputs
Cable Box or Satellite Receiver	Video 2 or 3	Video 2 or 3 L/R Inputs, Optical Digital 1 or 2, or Coaxial Digital 1 or 2 Inputs*	Not required
Audio Recorder	Tape	Tape L/R Inputs , Optical Digital 1/1/2** or Coaxial Digital 1/2** Inputs	Tape L/R Outputs , Digital Optical** or Coaxial Outputs**
TV or Projector	Not applicable	Not required	Not required

* Check with your cable company to determine whether digital audio is available for all channels. It may be necessary to make BOTH analog and digital connections if it is not. ** Digital audio recorders only.